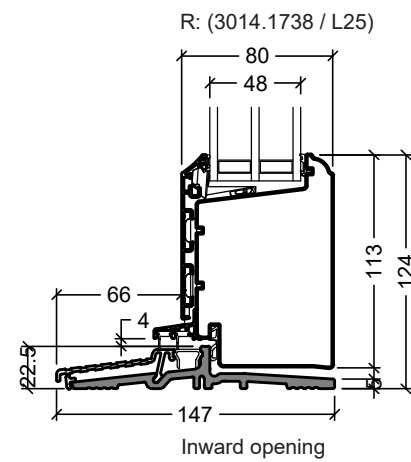
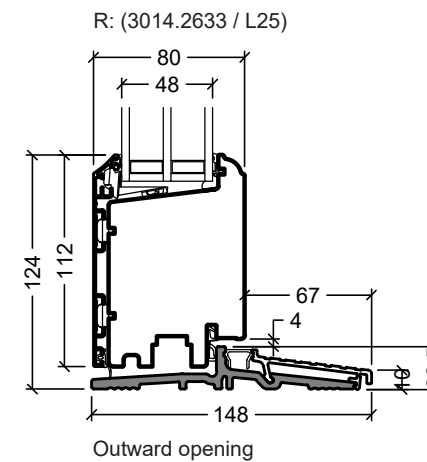


Frame variants outwards opening doors



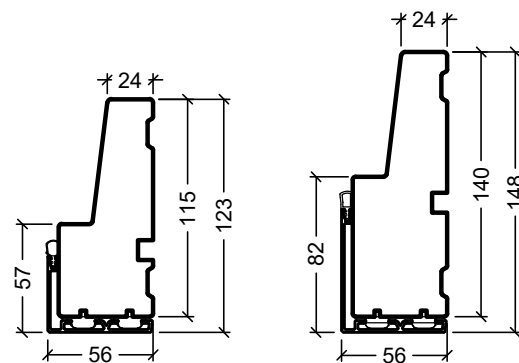
R: (3014.1738 / L25)

Inward opening

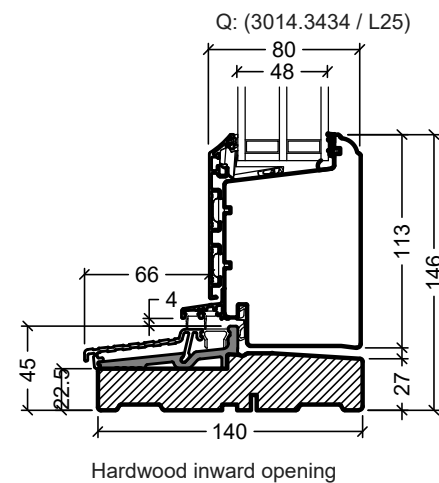


R: (3014.2633 / L25)

Outward opening

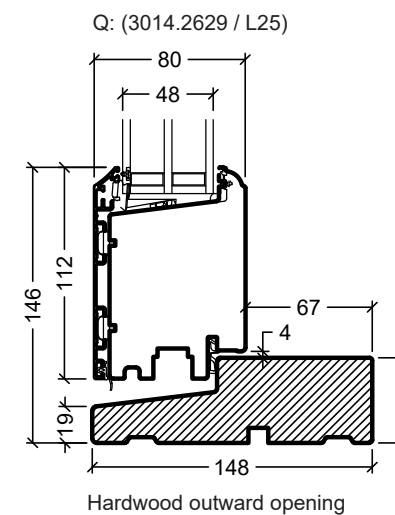


Frame variants inwards opening doors



Q: (3014.3434 / L25)

Hardwood inward opening



Q: (3014.2629 / L25)

Hardwood outward opening

rational

Rational is a trademark of DOVISTA A/S

System: Rational Formaplus glazed door

English: Frame and threshold variants

Dansk: Karmvarianter

Scale: 1:4

Edition No. 1

10.21 © 2021

© DOVISTA A/S, CVR-no. 21147583. All intellectual property rights, copyright as well as all rights in know-how vest in DOVISTA A/S. This drawing may not be reproduced, stored, or transmitted in any form by any means (electronic, mechanical, photocopying, recording or otherwise) without the prior written consent of DOVISTA A/S. This drawing is to be used only for the purposes specified by DOVISTA A/S and for no other purpose. We reserve all rights to change the product and product range without notice.