
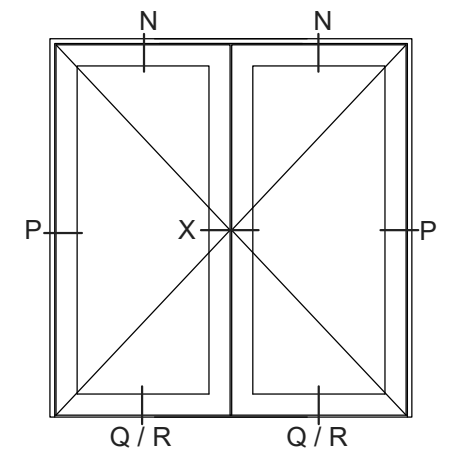
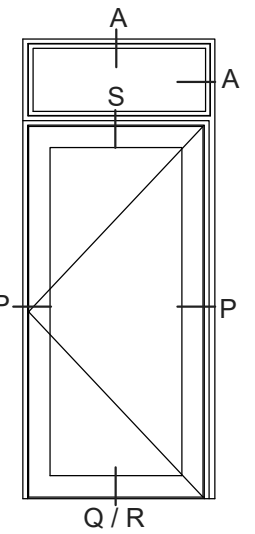
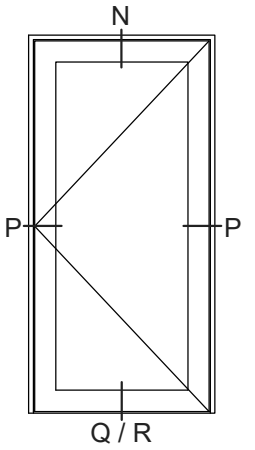
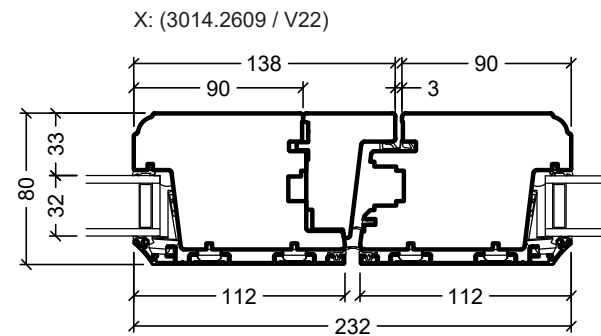
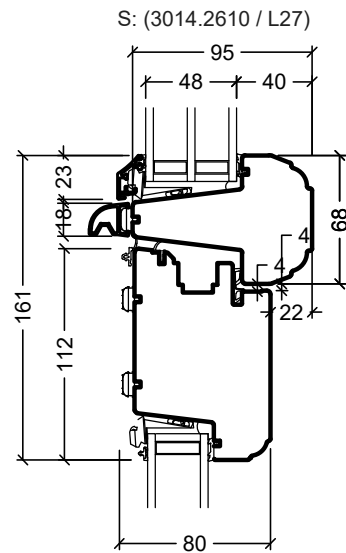
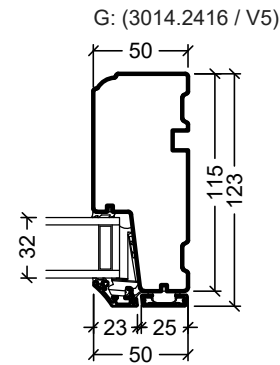
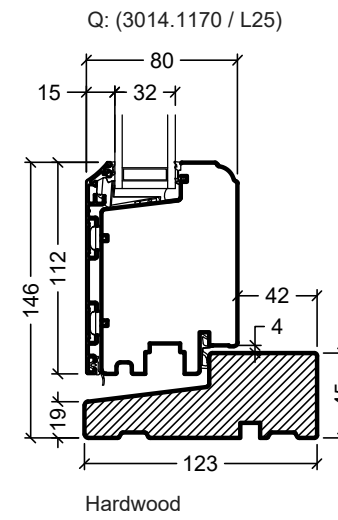
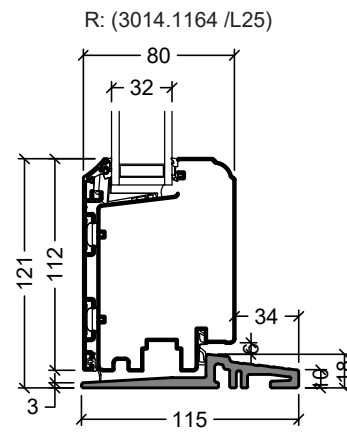
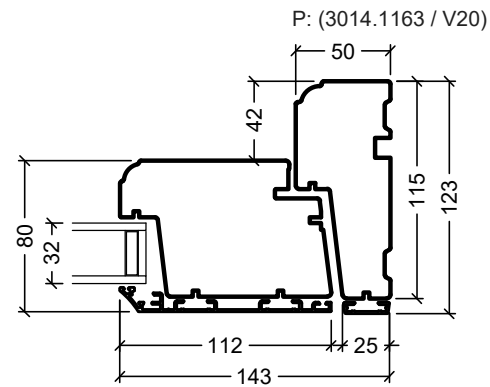
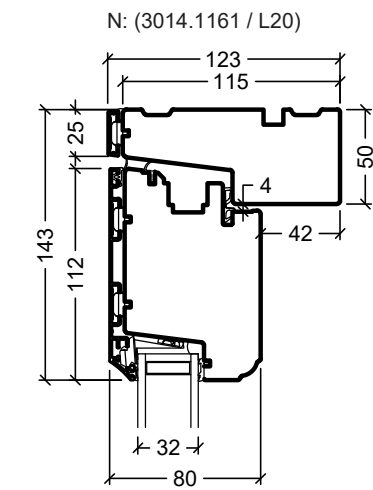


|   |   |                   |
|---|---|-------------------|
| <br>Rationel is a trademark of DOVISTA A/S   | System: Rationel Formaplus glazed door  | Scale: 1:4 / 1:40 |
|   | English: Outward opening, triple glazed | Edition No. 1     |
|   | Dansk: Udadgående, 3-lags               | 10.21 © 2021      |
| <small>© DOVISTA A/S, CVR-no. 21147583. All intellectual property rights, copyright as well as all rights in know-how vest in DOVISTA A/S. This drawing may not be reproduced, stored, or transmitted in any form by any means (electronic, mechanical, photocopying, recording or otherwise) without the prior written consent of DOVISTA A/S. This drawing is to be used only for the purposes specified by DOVISTA A/S and for no other purpose. We reserve all rights to change the product and product range without notice.</small> |   |                   |



**rational**

Rational is a trademark of DOVISTA A/S

System: Rational Formaplus glazed door

English: Outward opening, double glazed

Dansk: Udadgående, 2-lags

Scale: 1:4 / 1:40

Edition No. 1

10.21 © 2021

© DOVISTA A/S, CVR-no. 21147583. All intellectual property rights, copyright as well as all rights in know-how vest in DOVISTA A/S. This drawing may not be reproduced, stored, or transmitted in any form by any means (electronic, mechanical, photocopying, recording or otherwise) without the prior written consent of DOVISTA A/S. This drawing is to be used only for the purposes specified by DOVISTA A/S and for no other purpose. We reserve all rights to change the product and product range without notice.